

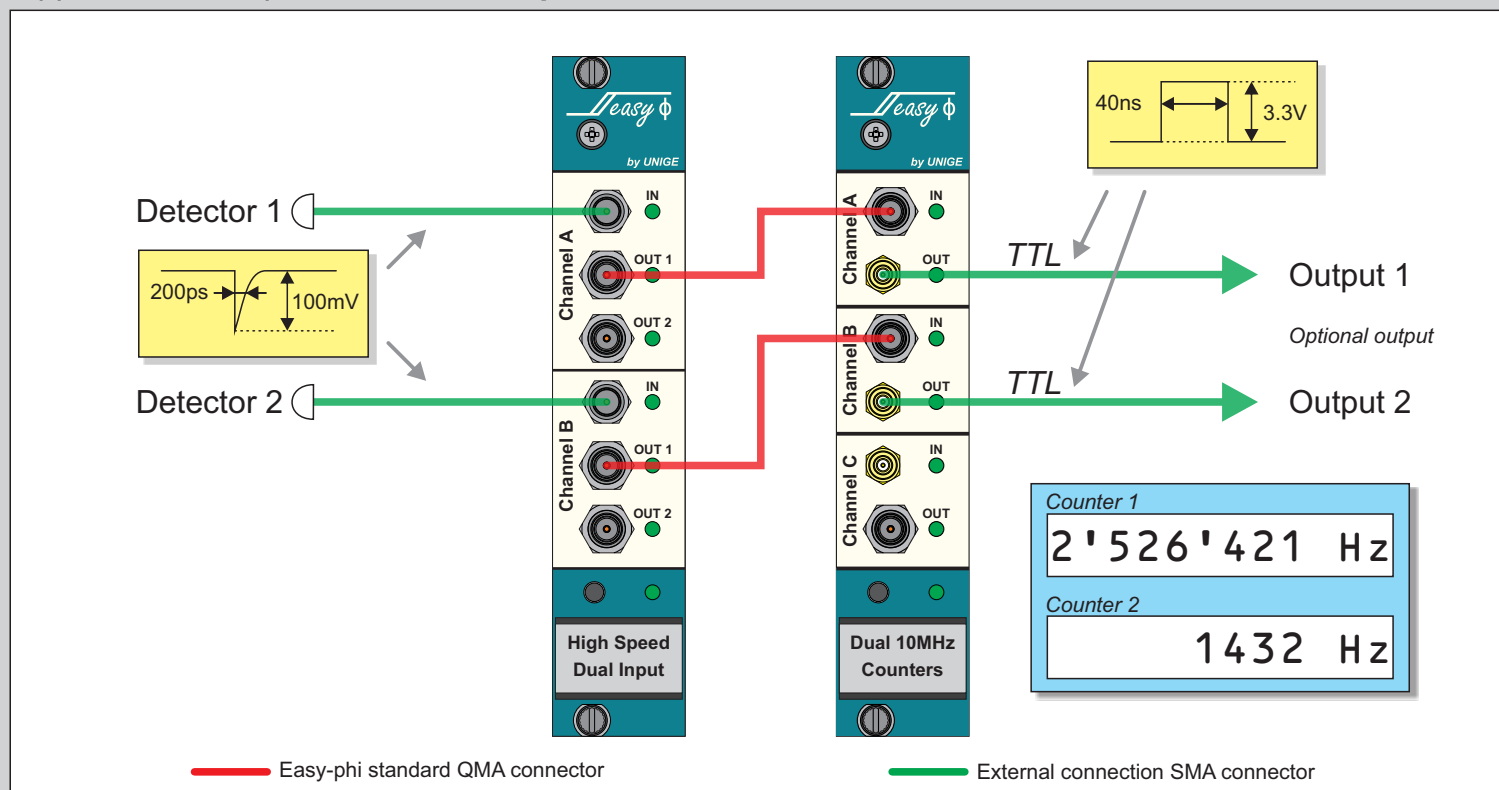


Open software  
Open hardware  
Open standard platform for scientific instrumentation

*easy*  $\phi$   
Your instruments

# Achieve ultra-high performance... ...easily

Application Example # 5: Two short pulse 10 MHz counters



Low cost dual 10MHz counters

[www.easy-phi.ch](http://www.easy-phi.ch)

